

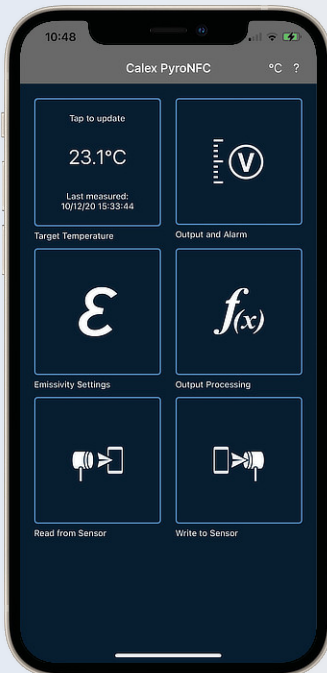
PyroNFC

Smartphone Configurable Infrared Temperature Sensor



- Non-contact industrial temperature sensor
- Fully configurable via iOS / Android app
- Choice of voltage or thermocouple outputs
- Simultaneous open collector alarm output
- Measures from 0°C to 1000°C, accurately and consistently
- Extremely small, with side-entry cable: ideal for mounting in tight spaces
- Fast response time: 125 ms
- Low cost, high performance
- Operates in ambient temperatures up to 80°C without cooling
- Form factor optimised for brake testing applications, plus many others

APP FEATURES



- Read the measured temperature from PyroNFC sensors
- Instantly configure PyroNFC sensors without powering them
- Simply touch the sensor with the device to communicate
- Compatible with NFC-equipped Android and iOS devices
- Get the app free from Google Play Store or Apple App Store (search "PyroNFC")

GENERAL SPECIFICATIONS

Temperature Range

0 to 1000°C (rescalable on model PN151)

Output

Model PN151: 0-5 V DC, 1-5 V DC or 0-10 V DC, linear with measured temperature, configurable and rescalable via app

Model PN151K: Type K Thermocouple

Alarm Output

Open collector alarm output with temperature threshold and hysteresis, configurable via app

Field of View

15:1 (see OPTICS)

Accuracy

± 1.5% of reading or ± 1.5°C, whichever is greater

Repeatability

± 0.5% of reading or ± 0.5°C, whichever is greater

Response Time

125 ms (90% response)

Configuration

Via iOS/Android app using NFC-equipped smartphone/tablet

Emissivity Setting

Adjustable 0.2 to 1.0 via app

Max Span (Voltage Output Range)

1000°C

Min Span (Voltage Output Range)

100°C

Spectral Range

8-14 μm

Max. Supply Voltage

28 V DC

Min. Supply Voltage (at Sensor)

12 V DC (for 10 V output)
6 V DC (for 5 V or thermocouple output)

Max Current Draw

7 mA

ENVIRONMENTAL & CONFORMITY SPECIFICATIONS

Environmental Rating

IP65

Ambient Temperature Range

0°C to 80°C

Relative Humidity

95% max. non-condensing

Electromagnetic Compatibility

EN61326-1, EN61326-2-3 (Electrical Equipment for Measurement, Control and Laboratory Use - EMC Requirements - Industrial)

RoHS Compliant

Yes

APP SPECIFICATIONS

Configurable Parameters

Temperature range (linear output)
Linear voltage output type and scale
Alarm output threshold and hysteresis
Emissivity setting
Reflected temperature

Temperature Units

°C / °F

Signal Processing

Averaging Period (0.125 to 60 seconds)
Peak / Valley Hold
Hold Period (0.125 to 1200 seconds)

Temperature Measurement

Touch NFC device against sensor for in-app temperature updates (updates continuously on Android)

DIMENSIONS AND CONNECTIONS

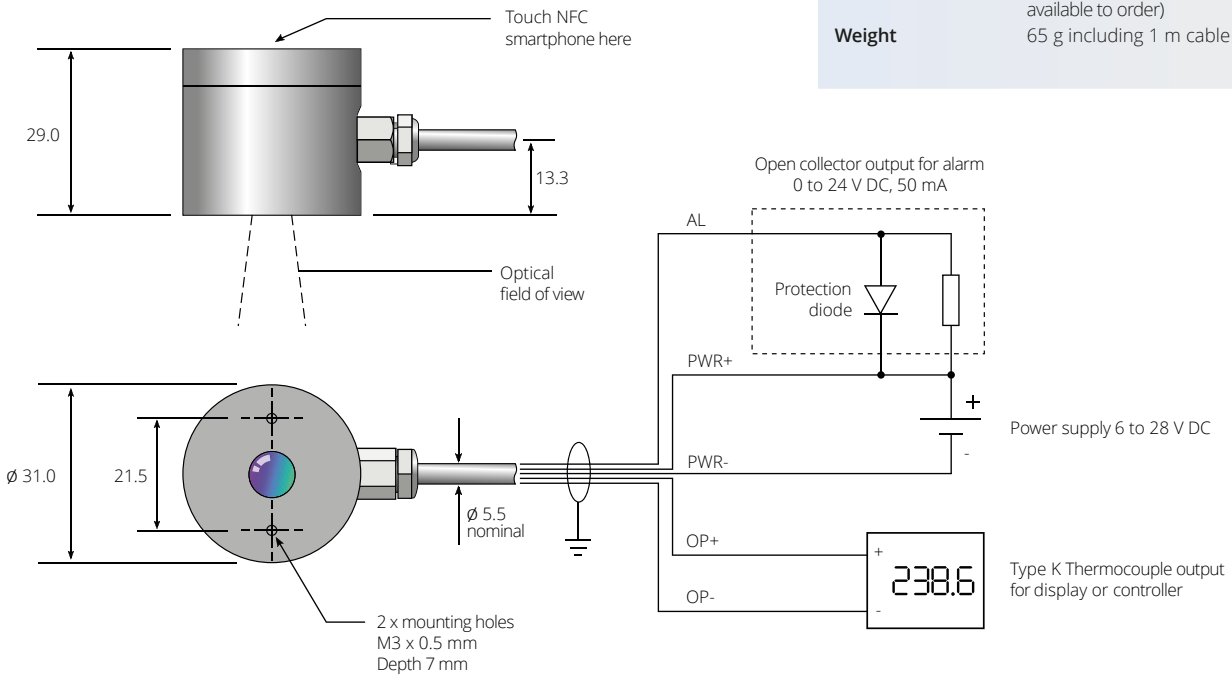
MECHANICAL SPECIFICATIONS

Construction Black anodised aluminium and ABS

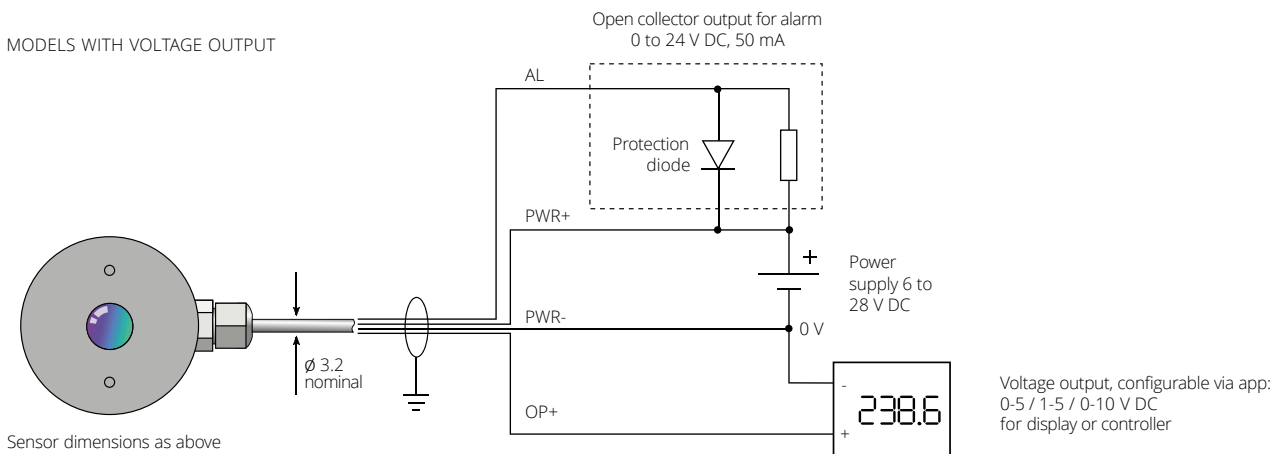
Cable Length 1 metre standard (longer lengths available to order)

Weight 65 g including 1 m cable

MODELS WITH TYPE K THERMOCOUPLE OUTPUT

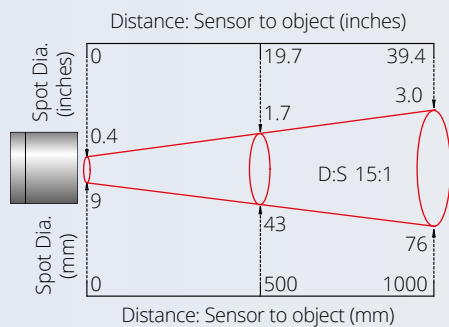


MODELS WITH VOLTAGE OUTPUT



OPTICS

Diameter of target spot measured versus distance from sensing head (90% energy)



ACCESSORIES

- Fixed mounting bracket **FBN**
- Adjustable mounting bracket **ABN**
- Air purge collar **APN**
- 3-point UKAS traceable calibration certificate **CALCERTA**

MODEL NUMBERS

